

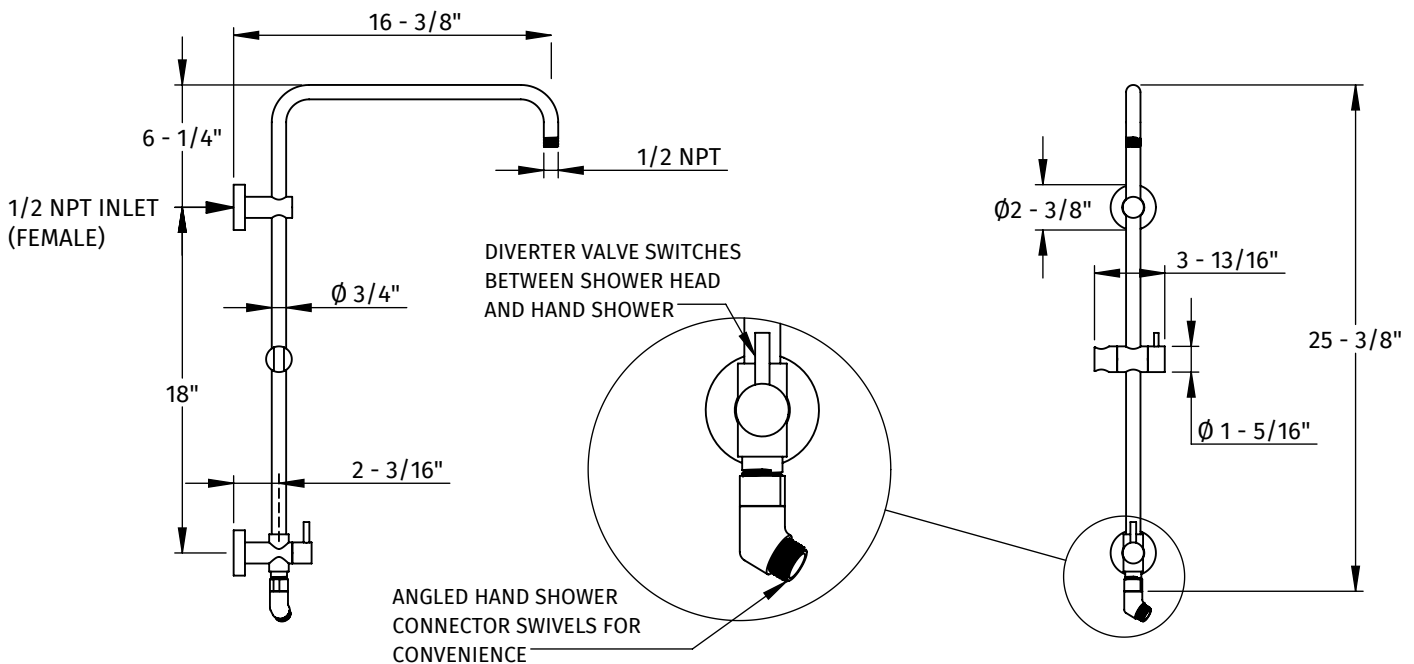
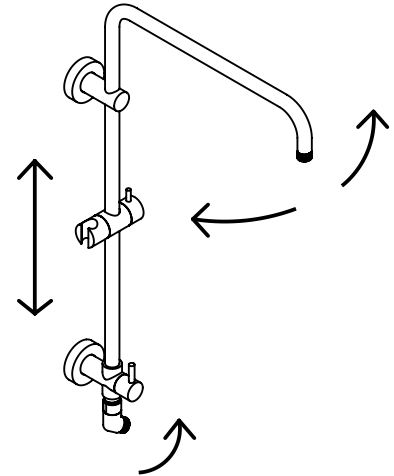
MTRRP-2

RE-VIVE® RAIN RAIL PLUS RETROFIT SHOWER RAIL



SPECIFICATION SHEET

- DUAL OUTLETS: SHOWER HEAD AND HAND SHOWER
- DIVERTER AT BOTTOM OF RAIL SWITCHES BETWEEN SHOWER HEAD OR HAND SHOWER
- CAN COMPLETELY REPLACE A STANDARD SHOWER HEAD WITHOUT ALTERING PLUMBING BEHIND THE WALL
- HAND SHOWER HOLDER IS ADJUSTABLE IN HEIGHT AND ANGLE
- SHOWER HEAD MOUNTS ON SWING SPOUT
- INCLUDES ANGLED SWIVELING CONNECTOR FOR HAND SHOWER HOSE
- MOUNTING HARDWARE INCLUDED
- ALL BRASS CONSTRUCTION
- FULLY PLATED WITH A VARIETY OF FINISHES AVAILABLE
- CALIFORNIA COMPLIANT VERSION: MTRRP-2-CA



WARRANTY

FOR WARRANTY INFO PLEASE VISIT WWW.MOUNTAINPLUMBING.COM/PAGE/RESOURCES/WARRANTY

FINISH CARE & MAINTENANCE

NEVER USE ANY HARSH ALKALI, ACID BASED DETERGENTS OR CLEANERS SUCH AS SOFT SCRUB®, SCRUBBING BUBBLES® OR COMET® TO CLEAN. DO NOT USE BRILLO® OR SCOTCH BRITE® PADS. THESE WILL ALL HARM THE FINISH. TO CLEAN, USE ONLY A DAMP SOFT CLOTH AND WIPE GENTLY. STANDARD WINDEX® CAN ALSO BE USED SPARINGLY. IT IS NOT NECESSARY TO WIPE HARD TO REMOVE SPOTS. TO MAINTAIN THE FINISH, WIPE WITH A SOFT DRY CLOTH AFTER USE. AN OCCASIONAL COAT OF PURE CARNAUBA WAX WITHOUT CLEANERS WILL HELP PROTECT THE FINISH.

SPECIFICATIONS SUBJECT TO CHANGE WITHOUT NOTICE