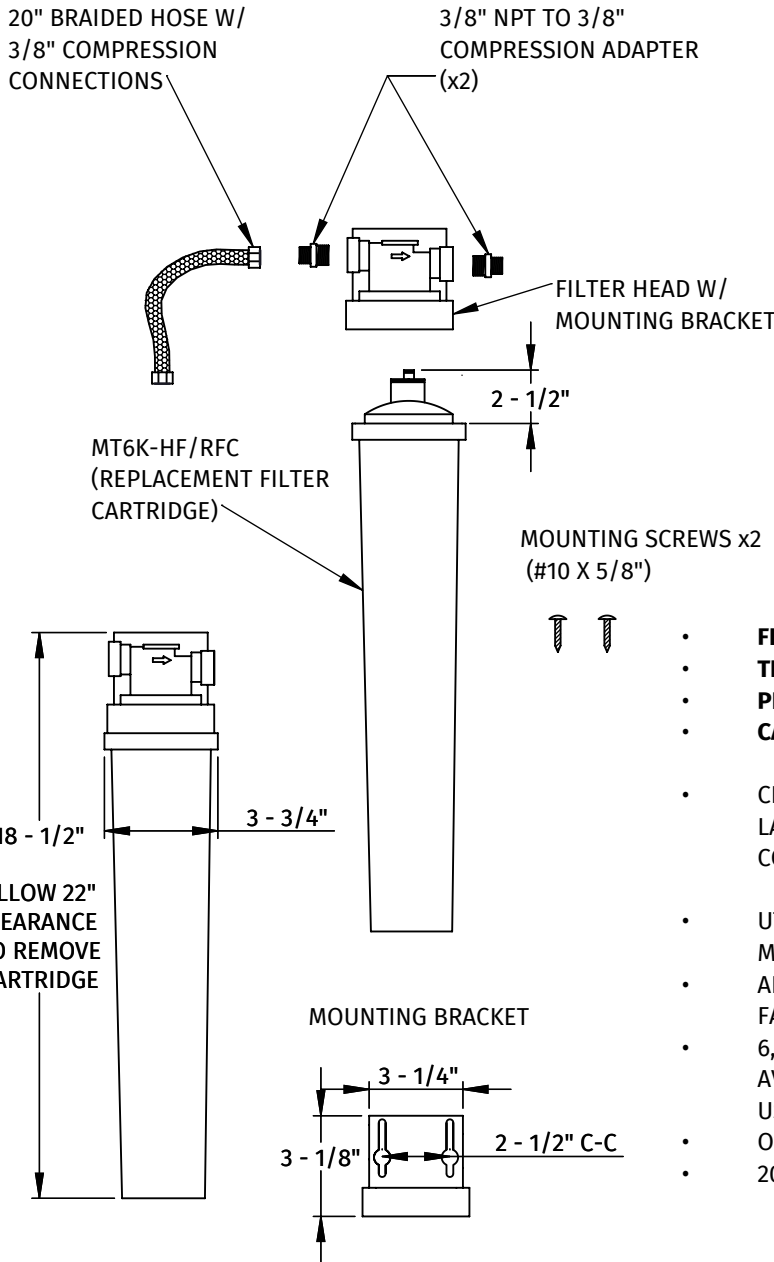


MT6K-HF

MOUNTAIN PURE® FULL FLOW FILTER SYSTEM

SPECIFICATION SHEET



IMPURITIES REDUCED:

LEAD
SEDIMENT
VOC
PESTICIDES
HYDROGEN SULFIDE
ALUMINUM CHLORINE
ALGAE
TURBIDITY
PATHOGENIC CYSTS
FOUL ODORS & TASTES
IRON
MOLDS
TRICHALOMETHANES
ASBESTOS FIBERS
RUST
SUSPENDED SOLIDS
SUB-MICRON ASBESTOS
MTBE



- **FLOW RATE:** CONTROLLED AT 2.0 GPM
- **TEMPERATURE:** 35 - 100 °F (2-38 °C) COLD WATER USE ONLY
- **PRESSURE:** 10-125 PSI (0.7-8.6 BAR) NON SHOCK
- **CAPACITY:** 6000 GALLONS (22,713 L)
- CHLORINE & LEAD REDUCTION CAPACITIES ARE BASED ON LABORATORY TESTING CONDUCTED USING TEST PROTOCOLS CONTAINED IN NSF STANDARDS 42 AND 53 RESPECTIVELY.
- UTILIZES POWDERED ACTIVATED CARBON AND LEAD ABSORBENT MEDIA
- ANTI-SCALE MEDIA TO PROTECT AGAINST SCALE BUILD UP IN FAUCET AND HOT TANK (SOLD SEPARATELY)
- 6,000 GALLON CAPACITY (APPROX. ONE YEAR BASED ON AVERAGE USAGE)
- OPERATES WITHOUT WASTING WATER LIKE R.O. SYSTEMS
- 20" HOSE AND MOUNTING HARDWARE INCLUDED

WARRANTY

FOR WARRANTY INFO PLEASE VISIT WWW.MOUNTAINPLUMBING.COM/PAGE/RESOURCES/WARRANTY

FINISH CARE & MAINTENANCE

NEVER USE ANY HARSH ALKALI, ACID BASED DETERGENTS OR CLEANERS SUCH AS SOFT SCRUB®, SCRUBBING BUBBLES® OR COMET® TO CLEAN. DO NOT USE BRILLO® OR SCOTCH BRITE® PADS. THESE WILL ALL HARM THE FINISH. TO CLEAN, USE ONLY A DAMP SOFT CLOTH AND WIPE GENTLY. STANDARD WINDEX® CAN ALSO BE USED SPARINGLY. IT IS NOT NECESSARY TO WIPE HARD TO REMOVE SPOTS. TO MAINTAIN THE FINISH, WIPE WITH A SOFT DRY CLOTH AFTER USE. AN OCCASIONAL COAT OF PURE CARNAUBA WAX WITHOUT CLEANERS WILL HELP PROTECT THE FINISH.

SPECIFICATIONS SUBJECT TO CHANGE WITHOUT NOTICE

www.mountainplumbing.com 888-222-9140 fax 972-456-2719

form MT6K-HF spec sht