

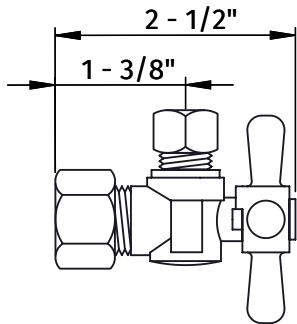
# MT593BX-NL

## LAVATORY SUPPLY KIT WITH MINI CROSS HANDLE VALVES

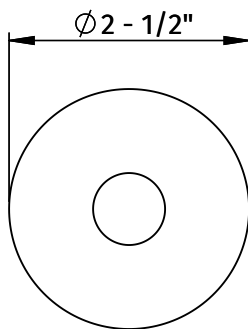
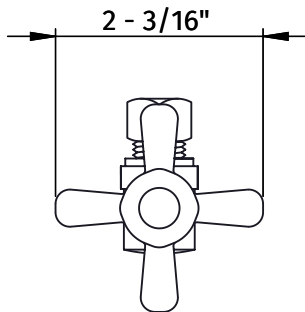


### SPECIFICATION SHEET

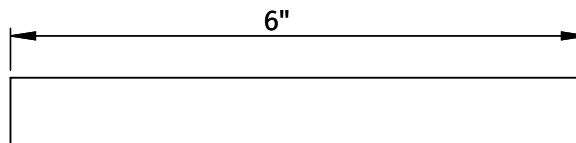
- TWO LEAD FREE cUPC CERTIFIED MT621-NL BALL VALVES
- 1/2" (5/8" OD) COMPRESSION INLET
- 3/8" OD COMPRESSION OUTLET
- TWO MT432X 20" SUPPLY TUBES
- TWO MT451X-6 COVER SLEEVES
- TWO MT439X ROUND ESCUTCHEONS
- OFFERED IN STANDARD DECORATIVE FINISHES
- SPECIAL FINISHES AVAILABLE UPON REQUEST



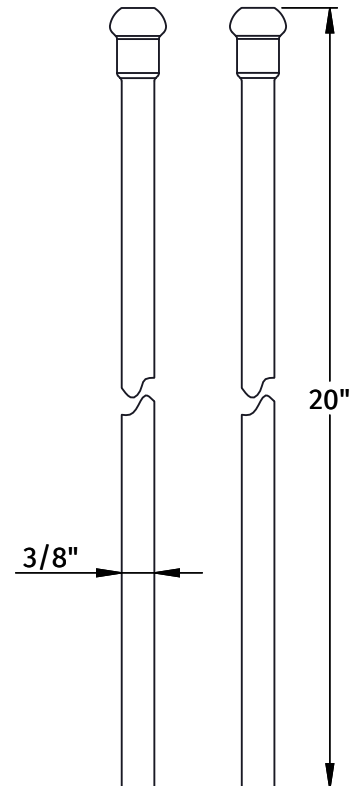
MT621-NL (2)



MT439X (2)



MT451X-6 (2)



MT432X (2)

#### WARRANTY

FOR WARRANTY INFO PLEASE VISIT [WWW.MOUNTAINPLUMBING.COM/WARRANTY-CLAIMS](http://WWW.MOUNTAINPLUMBING.COM/WARRANTY-CLAIMS)

#### FINISH CARE & MAINTENANCE

NEVER USE ANY HARSH ALKALI, ACID BASED DETERGENTS OR CLEANERS SUCH AS SOFT SCRUB®, SCRUBBING BUBBLES® OR COMET® TO CLEAN. DO NOT USE BRILLO® OR SCOTCH BRITE® PADS. THESE WILL ALL HARM THE FINISH. TO CLEAN, USE ONLY A DAMP SOFT CLOTH AND WIPE GENTLY. STANDARD WINDEX® CAN ALSO BE USED SPARINGLY. IT IS NOT NECESSARY TO WIPE HARD TO REMOVE SPOTS. TO MAINTAIN THE FINISH, WIPE WITH A SOFT DRY CLOTH AFTER USE. AN OCCASIONAL COAT OF PURE CARNAUBA WAX WITHOUT CLEANERS WILL HELP PROTECT THE FINISH.

SPECIFICATIONS SUBJECT TO CHANGE WITHOUT NOTICE