

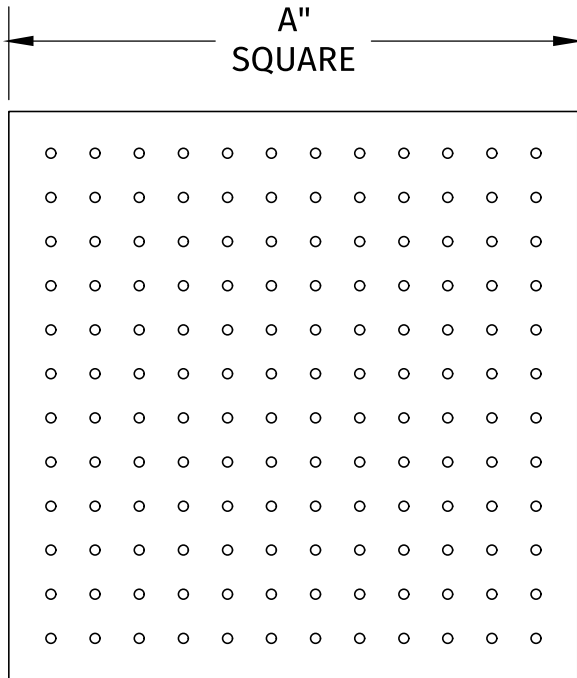
MT11-6/8/10/12/16

MOUNTAIN RE-VIVE™ SQUARE RAIN HEAD

SPECIFICATION SHEET



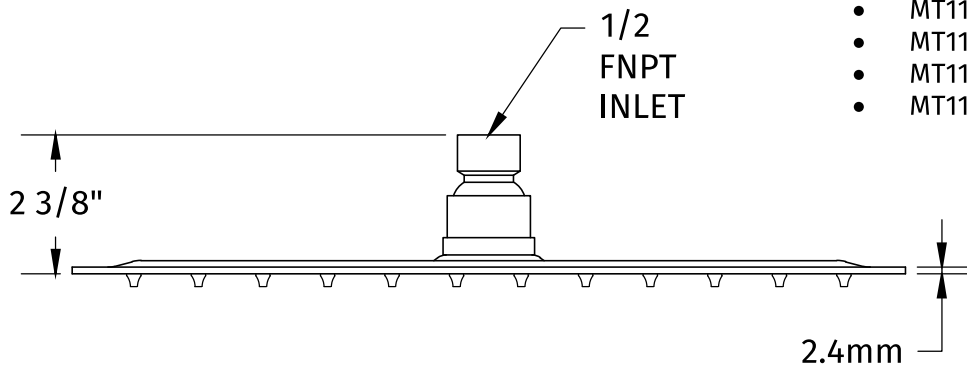
A McAlpine Company
Mountain
Plumbing Products



- STAINLESS STEEL CONSTRUCTION
- ULTRA SLIM 2.4 mm
- 1.6 GPM FLOW RESTRICTOR INSTALLED
- OPTIONAL 2.5 GPM RESTRICTOR INCLUDED
- SEAMLESS CONSTRUCTION
- CLOG-FREE NOZZLES
- (MT11-12 SHOWN)

MODEL NUMBER	DIM A	NOZZLES
--------------	-------	---------

- | | | |
|-------------|--------|-----|
| • MT11-6: | 6" SQ | 64 |
| • MT11-8: | 8" SQ | 100 |
| • MT11-10*: | 10" SQ | 144 |
| • MT11-12*: | 12" SQ | 144 |
| • MT11-16*: | 16" SQ | 196 |



* DUE TO SIZE AND WEIGHT,
THESE SHOWER HEADS ARE
BEST SUITED TO BE USED
EXCLUSIVELY AS A RAIN
HEAD.

WARRANTY

FOR WARRANTY INFO PLEASE VISIT WWW.MOUNTAINPLUMBING.COM/PAGE/RESOURCES/WARRANTY

FINISH CARE & MAINTENANCE

NEVER USE ANY HARSH ALKALI, ACID BASED DETERGENTS OR CLEANERS SUCH AS SOFT SCRUB®, SCRUBBING BUBBLES® OR COMET® TO CLEAN. DO NOT USE BRILLO® AND SCOTCH BRITE® PADS. THESE WILL ALL HARM THE FINISH. TO CLEAN, USE ONLY A DAMP SOFT CLOTH AND WIPE USING A SOFT CLOTH. STANDARD WINDEX® CAN ALSO BE USED SPARINGLY. IT IS NOT NECESSARY TO WIPE HARD TO REMOVE SPOTS. TO MAINTAIN THE FINISH, WIPE WITH A SOFT DRY CLOTH AFTER USE. AN OCCASIONAL COAT OF PURE CARNAUBA WAX WITHOUT CLEANERS WILL HELP PROTECT THE FINISH.

SPECIFICATIONS SUBJECT TO CHANGE WITHOUT NOTICE